


## Description

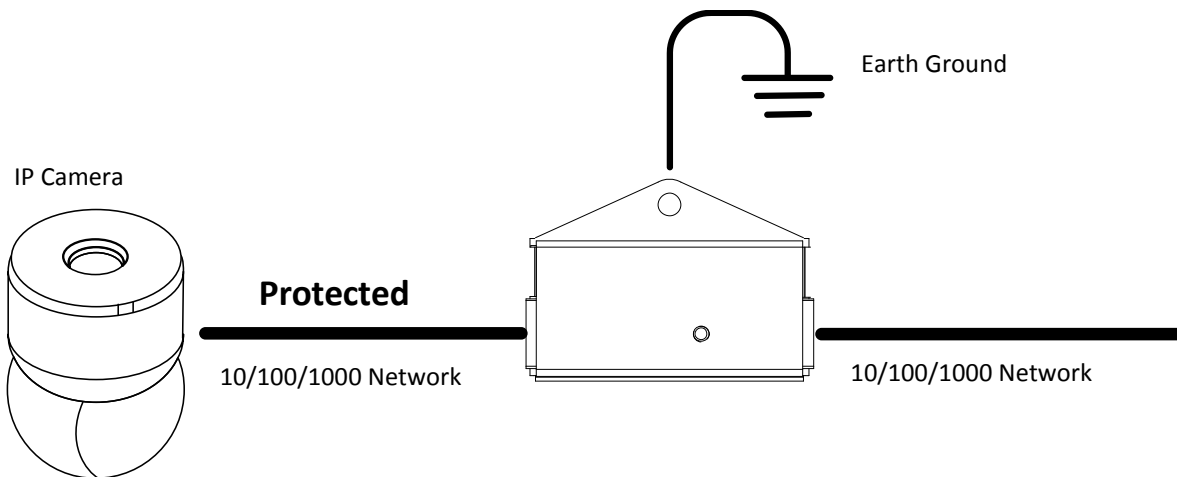
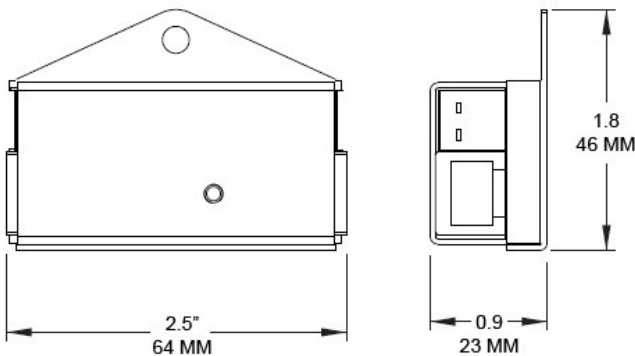
The **IPMRJ1** is a single channel, in-line, 10/100/1000 Ethernet surge protector for IP cameras. The IPMRJ1 is designed to provide surge protection for one 10/100/1000 Ethernet port. The unit has standard RJ45 jacks for easy connection and is ideal for small or restricted spaces. The IPMRJ1 provides a heavy duty, single point ground connection and is easy to install in minutes.

## Specifications

Size	0.9" H x 2.5" W x 1.8" D
Connection Network	Standard RJ45
Clamping	
Data/PoE+ Ethernet	58 Vp-p
Transient Response Time	1 picosecond typ.
Peak Pulse Power Dissipation	3,000 W/pair (10/100us)
Impedance	50 or 75 Ohms
Temperature	-40C to +85C
Shipping Weight	1 lb

## Features

- Heavy duty single point ground
- 1 picosecond clamping time
- Lifetime warranty
- Will pass PoE+ power
-  Made in the U.S.A.



# NITEK

USA

5410 Newport Drive, # 24  
Rolling Meadows, IL 60008  
Phone: (847) 259-8900  
Fax: (847) 259-1300  
E-mail: [info@nitek.net](mailto:info@nitek.net)  
[WWW.NITEK.NET](http://WWW.NITEK.NET)

EUROPE

De Schans 19-21 2a  
8231 KA Lelystad  
Tel: +31(0)320-230005  
E-mail: [info@nitek.nl](mailto:info@nitek.nl)  
[WWW.NITEK.NL](http://WWW.NITEK.NL)

