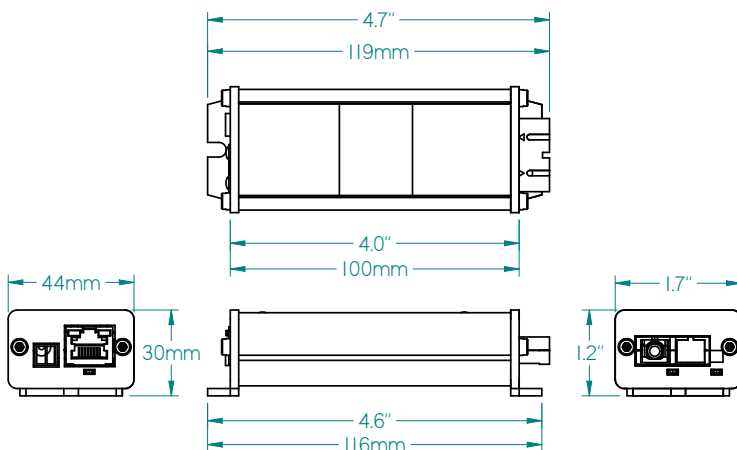


Fiber Media Converters

Features

- Single Fiber Industrial Media Converters in SC and ST variants
- Miniature Design
- Industrial Temperature/Power
- Extends 10/100 Ethernet up to 2km/20km (depending on model)
- multi-mode and single-mode fiber models
- Compliant with IEEE802.3 standards
- Autosensing MDI/MDIX crossover on network port
- LED indicators for network signals, link status and power
- Made in the USA



200 Series Industrial Media Converters

Technical Specifications

Network Port:	RJ45 Connector
Ethernet:	10/100Mb on copper port, full or half duplex
Ethernet on Optical Link:	100Mb full duplex
Max operating distance electrical:	up to 100m / 330ft on Network Port (10/100 copper)
Max operating distance optical:	up to 20km / 12.5mi using single-mode 9um fiber up to 2km / 1.25 using multi-mode 50um or 62.5um fiber
LED Indicator:	Orange/Green Flashing LED for 10/100BASE Electrical link and activity Green/Flashing LED for optical link and activity Green LED for Power
Operating Temperature Industrial:	-40C to 75C / -40F to 167F
Humidity:	Up to 95% non-condensing
System Latency:	<1mS
Power Requirement:	12-30VAC / 12-57VDC
Power used:	2 watts
BTU Rating:	6.8BTU/hr
Shipping Weight:	0.45kg / 1lb
Shipping Size (HxDxW):	64mm x 133mm x 189mm / 2.5" x 5.25" x 7.45"

IMPORTANT:

To work over a single fiber, A parts must be paired with B parts on the opposite end of the link. A is usually the camera /remote side.

Optical Specs



SC connector



ST connector

Partnumber:

	MM-210A	MM-210B	MS-210A	MS-210B	MM-211A	MM-211B	MS-211A	MS-211B
Optical Connector	SC	SC	SC	SC	ST	ST	ST	ST
Single-mode			X	X			X	X
Multi-mode	X	X			X	X		
Optical Wavelength Transmitter	1310nm	1550nm	1310nm	1550nm	1310nm	1550nm	1310nm	1550nm
Optical Wavelength Receiver	1550nm	1310nm	1550nm	1310nm	1550nm	1310nm	1550nm	1310nm
Max Optical Launch Power	0dBm	0dBm	0dBm	-3dBm	0dBm	0dBm	0dBm	-3dBm
Min Optical Launch Power	-15dBm	-15dBm	-15dBm	-15dBm	-15dBm	-15dBm	-15dBm	-15dBm
Minimum Receiver Sensitivity	-30dBm	-30dBm	-30dBm	-32dBm	-30dBm	-30dBm	-30dBm	-32dBm
Receiver Overload Power	1dBm	1dBm	1dBm	-3dBm	1dBm	1dBm	-1dBm	-3dBm
Minimum Optical Budget	15dB	15dB	15dB	17dBm	15dB	15dB	15dB	17dBm
Max Operating Distance Optical	2km	2km	20km	20km	2km	2km	20km	20km

200 Series Industrial Media Converters

Common Installation

