

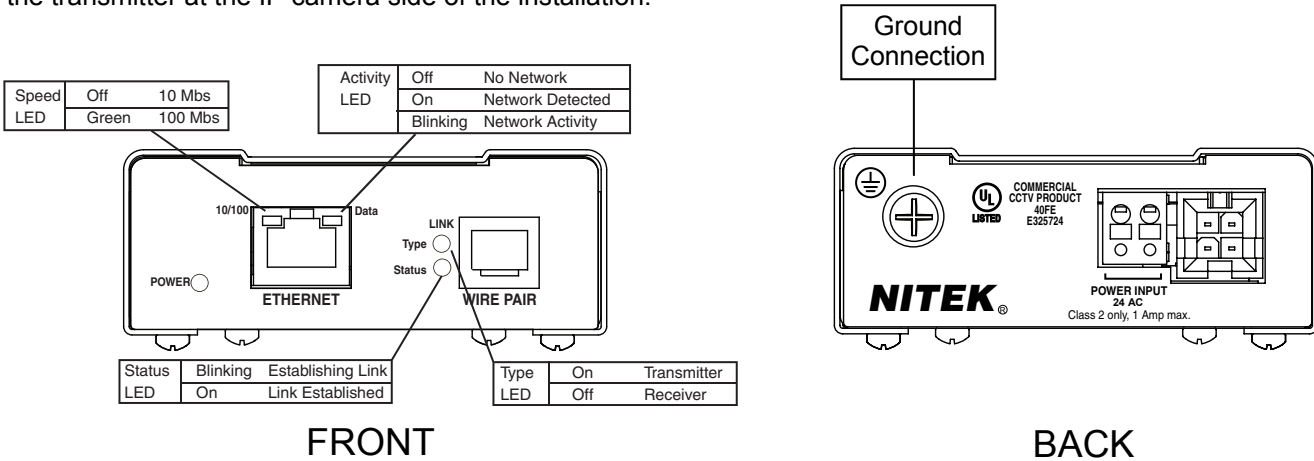
Model VR148UTP

Network Extender with PoE

Installation and Operation Manual

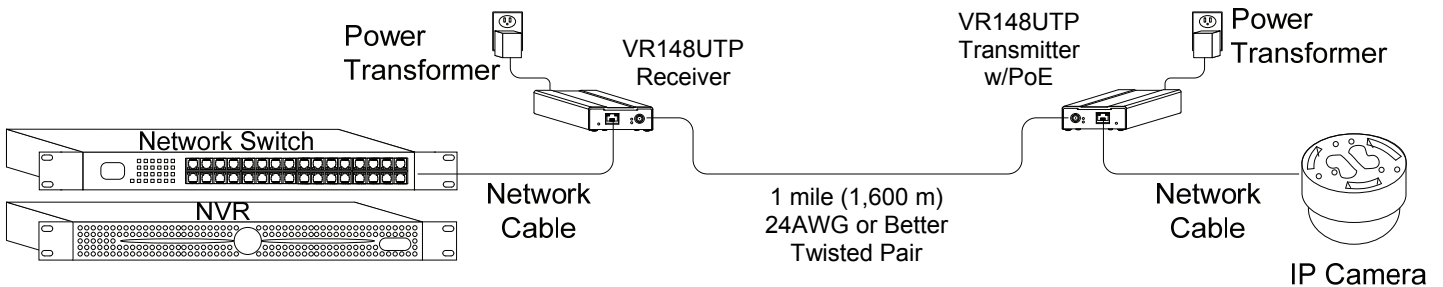
Introduction

The VR148UTP Network Extender is designed to greatly extend the distances to which IP cameras and other network devices can operate. The VR148UTP Network Extender consists of two units, a transmitter and a receiver. Only the transmitter provides PoE to the connected network device. The receiver is installed at the NVR/IP equipment side and the transmitter at the IP camera side of the installation.



Note: A sticker on the bottom of each unit identifies whether it is the transmitter or the receiver.

VR148UTP Network Extender Installation Drawing



! The separate protective earthing terminal provided on this product shall be permanently connected to earth.

Install Network to VR148UTP and IP Cameras

Refer to the above diagram when installing. Use best industry practices and follow all local building codes.

- 1) Connect an earth ground to each unit before making any additional connections.
- 2) Connect a network cable from the security room or IP network equipment to the receiver.
- 3) Connect a twisted pair cable between the transmitter and the receiver. Use center terminals of the RJ11 connector.
- 4) Connect a network cable from the transmitter's Ethernet jack to the IP camera or other network device.
- 5) Connect a Class 2 power transformer to the push in power connector of each VR148UTP unit. The units require 24VAC @ 1 Amp. There is no polarity to these terminals.

Normal Operation

When power is applied to both units the Network LED's will come on and the link status LED will blink for about 30 seconds as the link is being optimized. When the link is stable the link status LED will remain "ON". The data LED will blink with network activity.

NITEK ®	USA	5410 Newport Drive, # 24	EUROPE	De Schans 19-21 2a
		Rolling Meadows, IL 60008		8231 KA Lelystad
		Phone: (847) 259-8900		Tel: +31(0)320-2300005
		Fax: (847) 259-1300		Fax: +31(0)320-282186
		E-mail: info@nitek.net		E-mail: info@nitek.nl
		WWW.NITEK.NET		WWW.NITEK.NL

Troubleshooting

After completing installation, if the units are not operating properly, check each step at each unit in order.

- 1) If the Power LED is off verify the unit's power connections and verify that the power source is on an active circuit.
- 2) If the link status LED does not stop blinking, verify that the coax cable has been properly installed and make sure receiver unit's link Type LED is "ON" and that Transmitter unit's link Type LED is "OFF".
- 3) If the Activity LED is "OFF" verify you have power to the camera and good connections to the RJ45 connectors.
- 4) If the activity LED is "ON" and the link status LED is "ON" and there is no picture, verify camera IP address and monitoring IP address are proper and refresh the monitor. Directly attach the camera through a short patch cable directly to NVR/IP network. Verify that camera and monitor program are properly functioning.