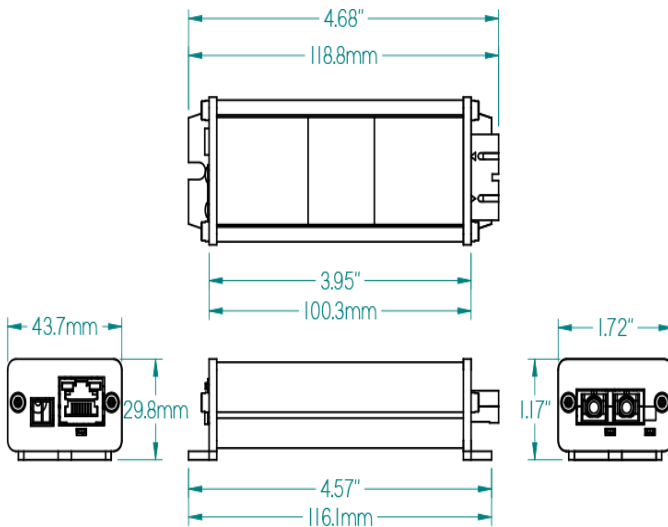


**Media Converters**

**Ethernet Optical/  
Electrical Converter**

**Features**

- Industry’s smallest miniature design
- 1 x 10/100 (Fast Ethernet) RJ45 Network port
- 1 x 100BASE-LX SC duplex single-mode port
- Extends 10/100 Ethernet up to 20km / 12.5mi over single mode fiber
- Compliant with IEEE802.3 standards
- Autosensing MDI/MDIX crossover on network port
- LED indicators for network signals, link status and power
- Made in the U.S.A.



## Technical Specifications

<b>Network Port:</b>	RJ45 Connector
<b>Optical Port:</b>	Duplex SC 1310nm for use with single-mode fiber
<b>Ethernet:</b>	10/100Mb on copper port, full or half duplex
<b>Ethernet on Optical Link:</b>	100Mb full duplex
<b>Max operating distance electrical:</b>	up to 100m / 330ft on Network Port (10/100 copper)
<b>Max operating distance optical:</b>	up to 20km / 12.5mi using SC duplex single-mode 9um fiber
<b>LED Indicator:</b>	Orange/Green Flashing LED for 10/100BASE Electrical link and activity Green/Flashing LED for optical link and activity Green LED for Power
<b>Optical Wavelength:</b>	1310nm
<b>Optical Launch Power:</b>	-3dBm (max) to -9dBm (min)
<b>Minimum Receiver Sensitivity:</b>	-32dBm @ 1x10E-10 BER
<b>Receiver Overload Power:</b>	-3dBm
<b>Minimum Optical Budget:</b>	23dB
<b>Rating/Listings:</b>	IEC/UL 62368-1
<b>Rating/Listings NEMA TS-2:</b>	(TBD)
<b>Operating Temperature Commercial:</b>	0C to 50C / 32F to +122F
<b>Humidity:</b>	Up to 95% non-condensing
<b>System Latency:</b>	<1mS
<b>Power Requirement:</b>	6-15V DC / 6-12V AC (12V DC recommended)
<b>Power used:</b>	2 watts
<b>BTU Rating:</b>	6.8BTU/hr
<b>Shipping Weight:</b>	0.45kg / 1lb
<b>Shipping Size (HxDxW):</b>	64mm x 133mm x 189mm / 2.5" x 5.25" x 7.45"

## Common Installation

