

PRODUCT SPECIFICATION

DOCUMENT NUMBER

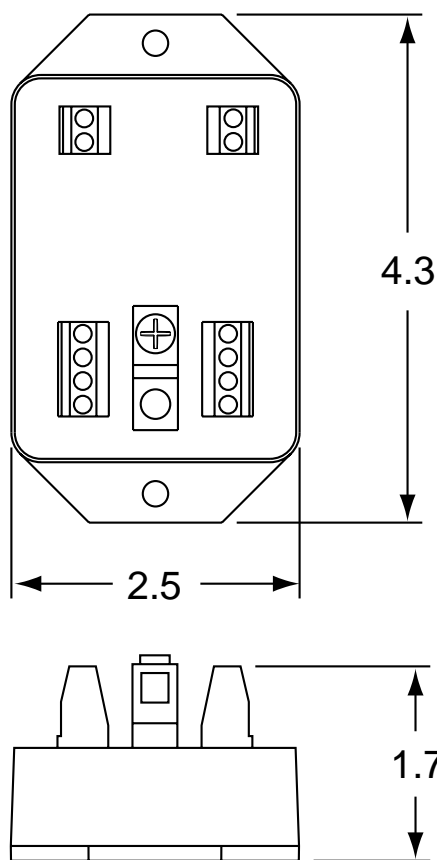
MODEL

CAMUTP24

CAMUTP24 Camera UTP Video, RS422 and 24 Volt Power Surge Protector

REVISION NUMBER

081304



Description

Multi-function in-line Surge Protector for UTP-based fixed and pan/tilt/zoom CCTV camera systems.

The **CAMUTP24** is a single channel, multi-function surge protector for unshielded twisted pair (UTP) video, RS422 twisted pair and the 24 VAC camera supply. The CAMUTP24 provides multi-stage surge protection to a single camera system and P/T/Z unit for each of these functions. The unit can be used at the camera or head-end. The CAMUTP24 is ideally suited for outdoor cameras, where extreme protection on all signal connections is required. The unit has screw terminals at the input and output for connection to the UTP video and screw terminals at the inputs and outputs for connection to the RS422 and 24 VAC power. The CAMUTP24 provides a heavy, single point ground connection and is easily installed in minutes.

Features

- Unique multi-stage design
- Insertion loss < 0.2 dB
- 2.8V clamping voltage
- Multi-function - protects video, RS422 & camera power inputs
- Heavy single point ground
- Easy to install
- Lifetime warranty

Specifications

Size	1.7"H x 4.3"W x 2.5"D
Power Requirements	None Required
Connection Method	Video - Screw Terminals Power - Screw Terminals Control - Screw Terminals
Clamping Voltage	Video - 2.8V Power - 33Vrms Control - 4.7V
Video Insertion Loss	<0.2dB
Impedance	50 or 75 ohms
Temperature	-40C to +85C
Frequency	DC to 10 MHz

NITEK®

5410 Newport Drive, Suite 24 • Rolling Meadows, IL • 60008
Phone: (800) 528-4343 • (847) 259-8900 • Fax: (847) 259-1300
E-mail: info@nitek.net • Internet: www.nitek.net

CAMUTP24