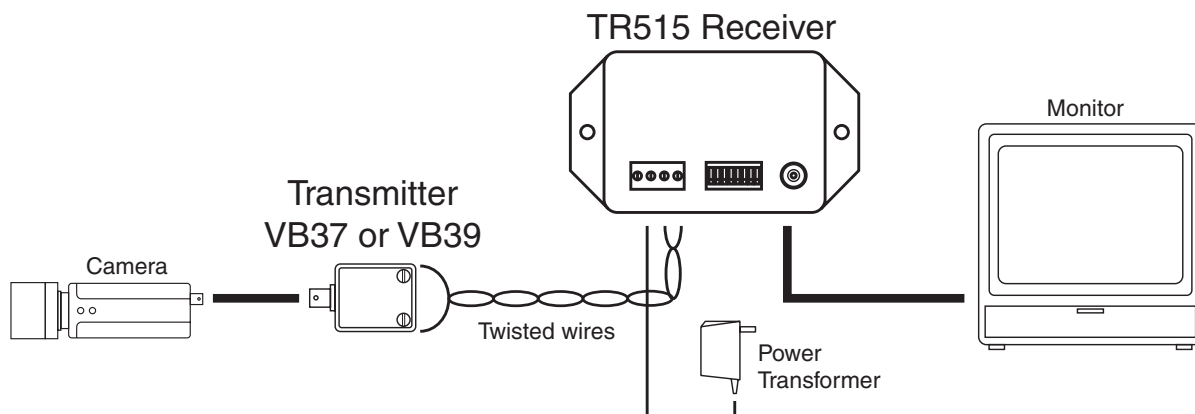


Description

The **TR515** is designed for operation over Category twisted pair cable and requires the use of a transmitter unit. The unit works equally well over existing communication and computer networks or newly installed cable. Advanced receiver electronics provide immunity from ground loop, hum and noise to produce maximum video quality with virtually no loss. A dip switch on the unit provides precise adjustment of gain and frequency compensation, allowing the system to be “fine-tuned” for any cable. This digital adjustment technology provides easy adjustment for optimum performance over the entire operating range. The wide dynamic adjustment also allows cable length to be estimated with a wide safety margin, when bidding CCTV twisted pair transmission jobs.

Features

- Active electronics compensate for frequency and level loss
- Built-in protection from power surges, transients, static or other electrical interference
- High resolution color or monochrome video
- Immunity to ground loop; video and AC can be run in a common raceway, where allowed
- Video can be run in the same cable with telephone and computer signals
- Weather resistant design
- Easy to install



NITEK®

USA

5410 Newport Drive, # 24
 Rolling Meadows, IL 60008
 Phone: (847) 259-8900
 Fax: (847) 259-1300
 E-mail: info@nitek.net
 WWW.NITEK.NET

EUROPE

De Schans 19-21 2a
 8231 KA Lelystad
 Tel: +31(0)320-2300005
 Fax: +31(0)320-282186
 E-mail: info@nitek.nl
 WWW.NITEK.NL

TECHNICAL SPECIFICATION

Receiver Unit

Size	1.6" H x 4.3" W x 2.4" D
Power Requirements	12 to 24 VAC or VDC, 45mA
Operating Distance	100 to 1,500 ft
Input	Balanced low voltage current loop
Output	1 Vpp composite video Monochrome or Color
Common Mode Rejection	>70dB
Video Format	PAL, SECAM, NTSC, RS170, CCIR (Color or B/W)
Operating Frequency	DC to 10 MHz
Wire Size	26 to 18 AWG twisted pair
DC Loop Resistance	51 Ohms/1,000 ft (max)
Nominal Capacitance	17pF/ft
Impedance	100 Ohms +/- 20%
Category Wire	2 or better
Temperature Range	-20°C to +65°C
Humidity Range	0 to 98%, non-condensing
Enclosure Material	Black, ABC flame retardant plastic
Twisted Pair Connection	Screw terminals
Shipping Weight	2 lbs

Wire and Cable Recommendations

We recommend using unshielded twisted pair wiring. The systems will operate over wire 26 to 18 AWG but are optimized for 24 AWG. Category cables may be used. Individually shielded pairs should be avoided, as they drastically reduce the operating range of the systems. Multi-pair cable with an overall shield is acceptable. Video can be operated in the same communication cable coexistent with telephone, computer, control signals, power voltages and other video signals. While video may be routed through telephone punch down block terminals, any bridge-taps, also called T-taps and any resistive, capacitive or inductive devices MUST BE removed from the pair.