


Installation Instructions

RK124 Rack Mount System

Note: This installation should be made by a qualified service person and conform with local codes.

 Reduce risk of fire or electrical shock do not expose this product to rain or moisture.

RK124 Rack

Size

1.75"H x 19"W x 5.75"D

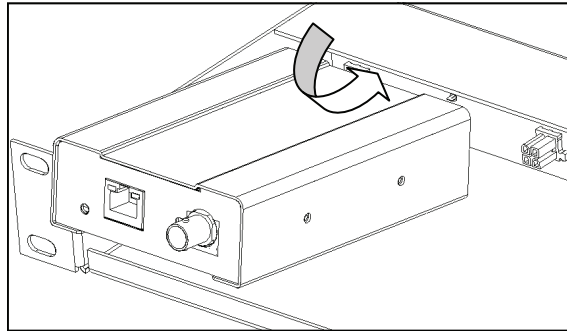
Power Requirements

24 AC/DC
1A 50\60 Hz
Class 2 only

The RK124 provides mounting and power for the VR124 Quiklinks units. VR124 units should be inserted from left to right into the unit. Units are designed to fit tightly next to the adjacent unit. (See pictures)

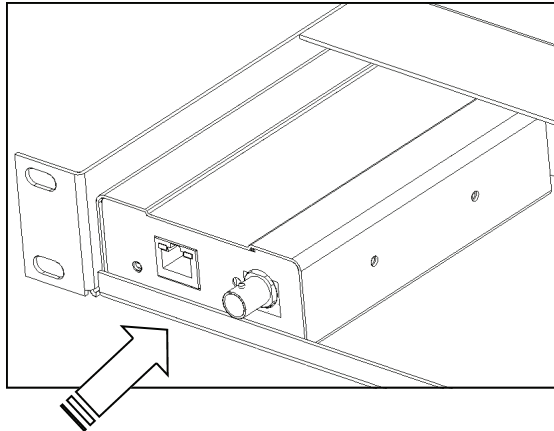
STEP 1

Align unit to left side and insert to back of RK124



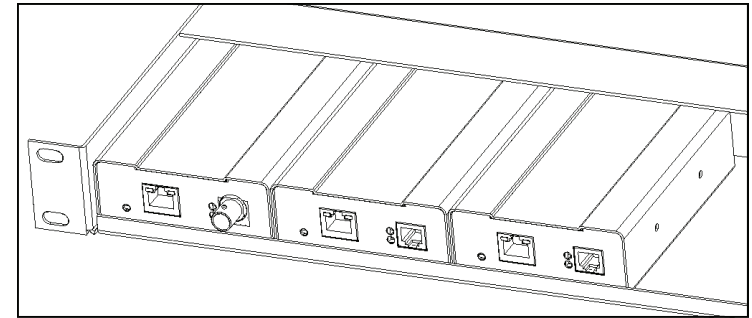
STEP 2

Drop front of unit below front lip of RK124



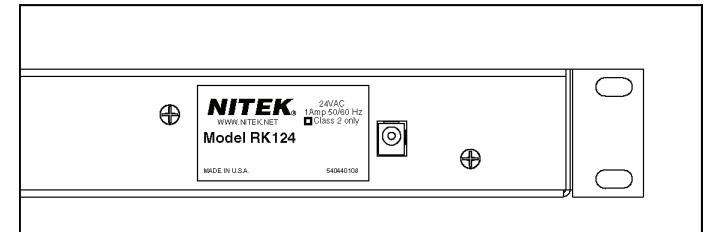
STEP 3

Align multiple units side by side



STEP 4

Connect power supply on rear of RK124



NITEK[®]

USA

5410 Newport Drive, Suite 24
Rolling Meadows, IL 60008
Tel: (847) 259-8900
Fax: (847) 259-1300
WWW.NITEK.NET

EUROPE

De Schans 19-21 2a
8231 KA Lelystad
Tel: +31(0)320-230005
Fax: +31(0)320-282186
WWW.NITEK.NL