

Model PVX44

Installation and Operation Manual

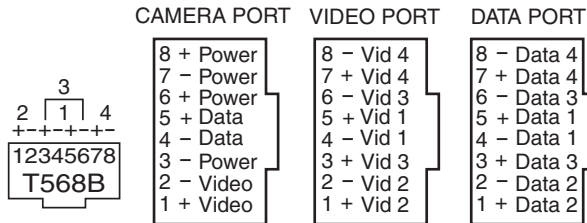
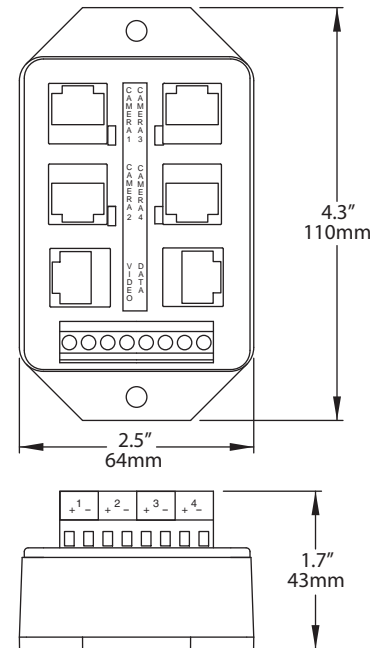
POWER, VIDEO and DATA DISTRIBUTOR FOR UTP and STP CATAGORY CABLES

SPECIFICATION

Size 1.7"H x 4.3"W x 2.5"D
43mmH x 110 W x 64 D

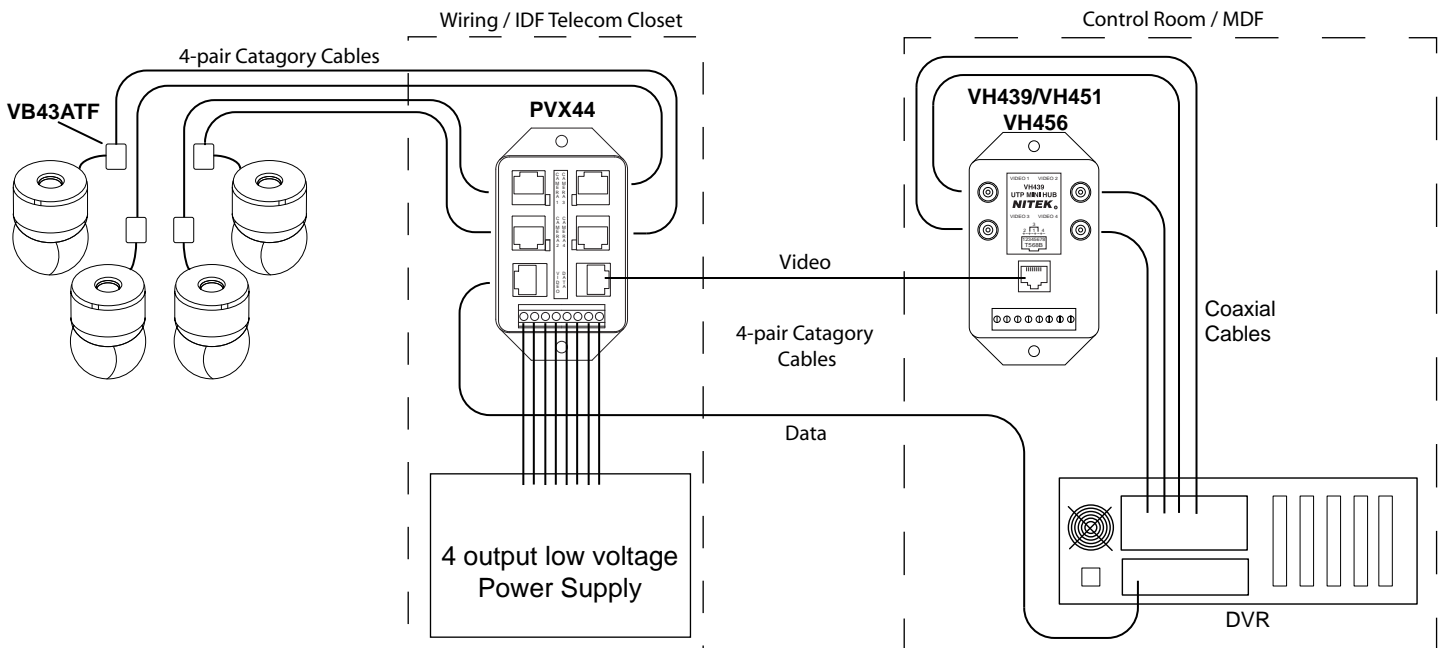
Weight 0.2 lb (.11kg)

Temperature -20 to +80 Degrees C



INSTALLATION

The PVX44 is designed using RJ45 connectors. Cable terminations are recommended to be 568B but may also be 568A. Whichever wiring configuration is used should be the same throughout the installation. The diagram below shows a common installation and the hook ups for each connector. Pin assignments is given in the table above.



NITEK®

USA Office:
5410 Newport Drive • Rolling Meadows, IL 60008
Phone: (800) 528-4343
Fax: (847) 259-1300
E-mail: info@nitek.net • Web: www.nitek.net

Europe Office:
De Schans 19-21 2a • 8231 KA Lelysted
Netherlands
Phone: +31(0)320 -230005
Fax: +31(0)320 -282186
E-mail: info@nitek.nl • Web: www.nitek.nl