

Installation and
Operation Manual
DL2105
RS232 Extender

NITEKTM Northern Information Technology, Inc.

766 West Algonquin Road • Arlington Heights, IL 60005

PHONE (847) 718-0600 • FAX (847) 718-0850

Internet: www.nitek.net • E-mail: INFO@nitek.net

CAT.NO.1349.2

System Specifications

DL2105 system includes the following:

(1) DL2105 transmitter, (1) DL2105 receiver and (2) wall power transformer

DL2105 transmitter unit

Size	1.1"H x 2.6"W x 4.3"D
Power Requirements	14 to 18 VDC @ 100mA
Input	RS232
Output	Extended RS422 for use up to 12,000 feet

DL2105 receiver unit

Size	1.1"H x 2.6"W x 4.3"D
Power Requirements	14 to 18 VDC @ 60mA
Input	RS422 from transmitter unit
Output	RS232

Introduction

The DL2105 is a two unit system that converts RS232 to twisted pair transmission, drives that down the wire and then reconverts the signal at the far end. All of which allows it to extend RS232 to 12,000 feet. It is ideal for extending RS232 signals to remote keyboards, card readers ect..

Installation

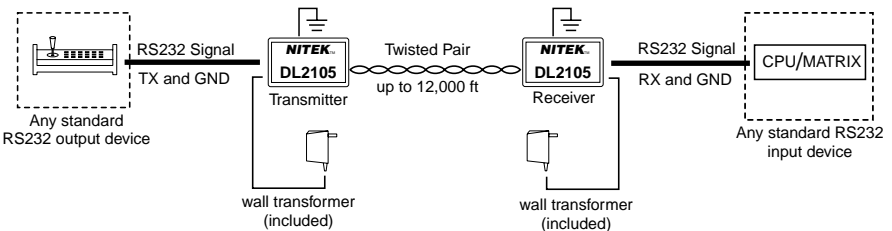
The DL2105 transmitter unit is connected at the sending end. It should be located no more than 20 feet from the RS232 source. The twisted pair to the receiver unit can be up to 12,000 feet. At the receiving end the receiver must also be located within 20 feet of the unit needing the RS232 connection. There are several diagrams on the following pages showing the most common ways to connect the DL2105. Connect the DL2105 as outlined in these diagrams.

IMPORTANT NOTE !

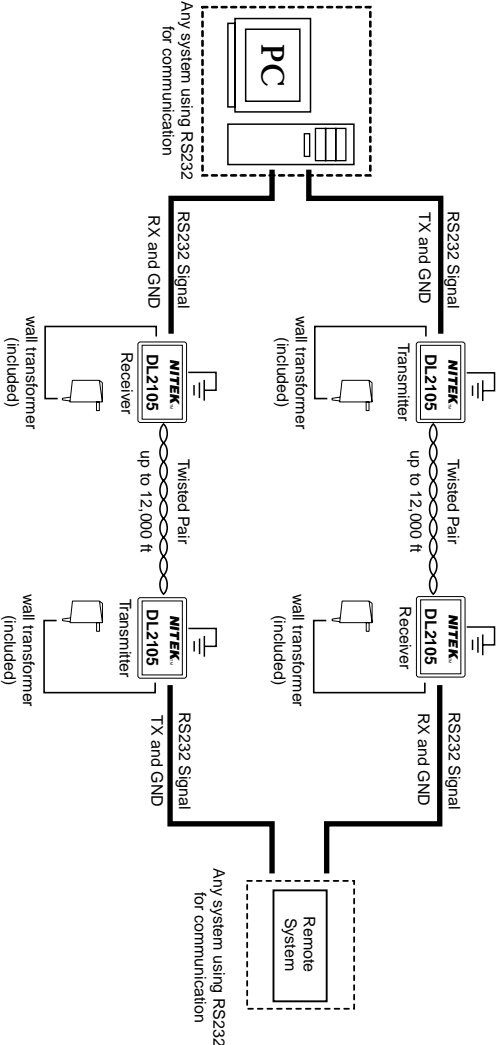
Connecting the earth ground is important for the protection of both the DL2105 and the devices to which it is connected. Without proper grounding the DL2105's built-in Surge Protection will not work.

These are just a few of the many possible hookups you can do with the DL2105. If you should need any help with your installation please call NITEK technical department at (800)-528-4343.

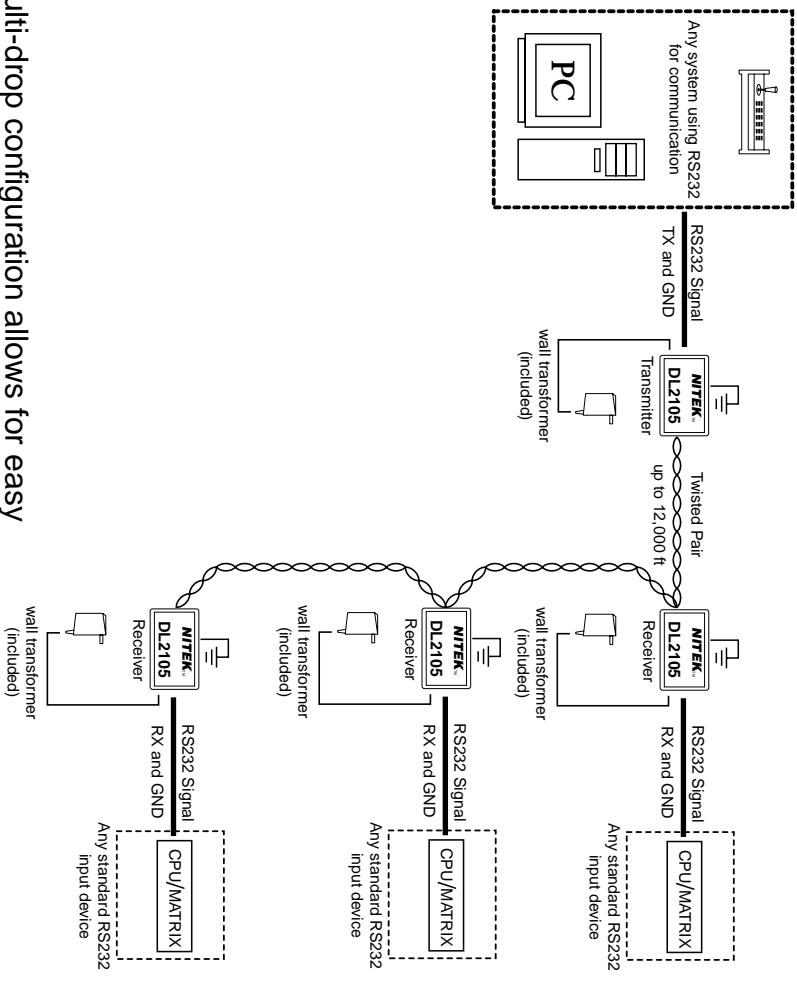
Standard straight through connection



At the transmitting end connect to the TX and GROUND wires for the RS232 input connections. At the receiving end connect the RX and GROUND wires for your RS232 connection. Also you must observe polarity on all twisted pair connections.



Standard Full Duplex RS232 communication system.



This multi-drop configuration allows for easy distribution of an RS232 communication signal.

Troubleshooting

Problem	Data does not appear to be going to the far end
Fix/Cause	<ul style="list-style-type: none">✓ Behind the bottom cover are a POWER and a DATA LED. These LEDs are in both the transmitter and the receiver units. Make sure that the power is ON and that the DATA LED comes ON when you are sending DATA.✓ Check the twisted pair for shorts to ground and between wires as well for open wires.✓ If you are not sure of the twisted pair polarity; + and -. Try reversing the twisted pair at one end.

For additional help with problems please call NITEK Technical Assistance at (800) 528-4343. Hours are from 8am to 5pm Central Standard Time Monday through Friday. We are always ready to help.

NITEK™ Warranty

NITEK warrants that the **DL2105** will be free from defects in materials and/or workmanship. Defective units will be repaired or replaced at our option within 2 years from the date of shipment. This warranty does not apply to units abused through misuse or subjected to improper and/or excessive voltage, beyond our control.

NITEK™ is a trademark of Northern Information Technology Inc.

