

Model CAMUTP24

Installation and Operation Manual

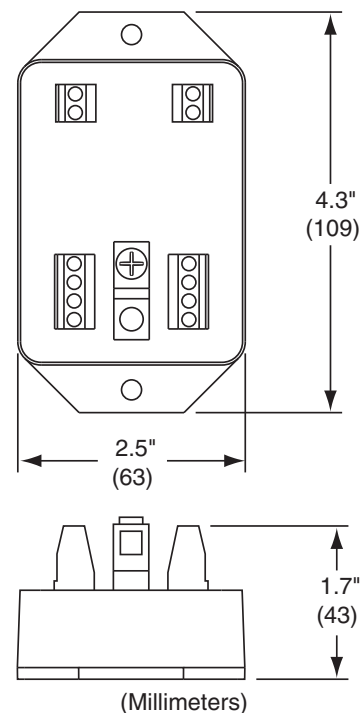
Camera Surge Protection Panel for UTP Video, RS422, and 12/24 Volt Power

The CAMUTP24 is designed to provide multistage surge video protection for fixed and PTZ cameras. It is ideally suited for outdoor cameras which need extreme protection on all signal connections.

The CAMUTP24 provides a heavy single point ground connection and can be installed in minutes. Proper installation is critical to proper operation of the unit. Please read installation instructions completely and insure good ground connections.

SPECIFICATION

Size	1.7"H x 4.3"W x 2.5"D (43 H x 109 W x 43 D)	Temperature	-10C to +85C
Power Requirements	NONE REQUIRED	Frequency	DC to 10 MHz
Video Insertion Loss	<0.1dB		
Impedance	100 ohms		

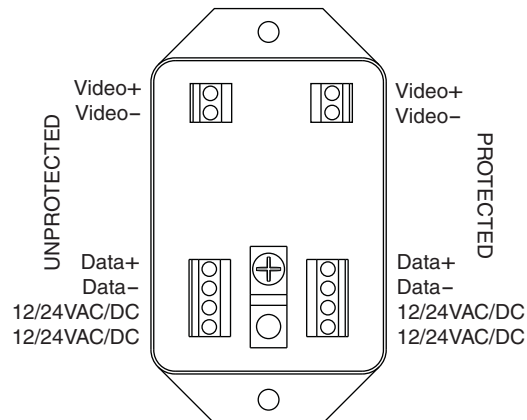


The CAMUTP24 must be properly installed to insure maximum protection. The function of the CAMUTP24 is to allow a surge to be routed to ground and to clamp the protected equipment inputs to a minimum voltage.

There are three key points to remember when installing the CAMUTP24. First provide a low impedance connection between the CAMUTP24 and your protected equipment. This is best done by keeping the **PROTECTED** cable connections as short as possible.

Second the system should use a single ground point. Connect the grounding stud of the CAMUTP24 to a single ground point. A single ground point is a proper building ground or earth ground to which equipment grounds are connected. Ideally the protected equipment should be isolated from ground. If the CAMUTP24 and the protected equipment are both grounded you will provide a parallel path to ground and a portion of the surge current can flow through that path.

Finally, the **UNPROTECTED** cables should not be crossed with the **PROTECTED** cables. Crossing cables could provide a path for surge currents to bypass the CAMUTP24 protection circuits.



NITEK®

USA Office:
5410 Newport Drive • Rolling Meadows, IL 60008
Phone: (800) 528-4343
Fax: (847) 259-1300
E-mail: info@nitek.net • Web: www.nitek.net

Rev.011506

Europe Office:
De Schans 19-21 2a • 8231 KA Lelysted
Netherlands
Phone: +31(0)320 -230005
Fax: +31(0)320 -282186
E-mail: info@nitek.nl • Web: www.nitek.nl