

Model CAMTRV24

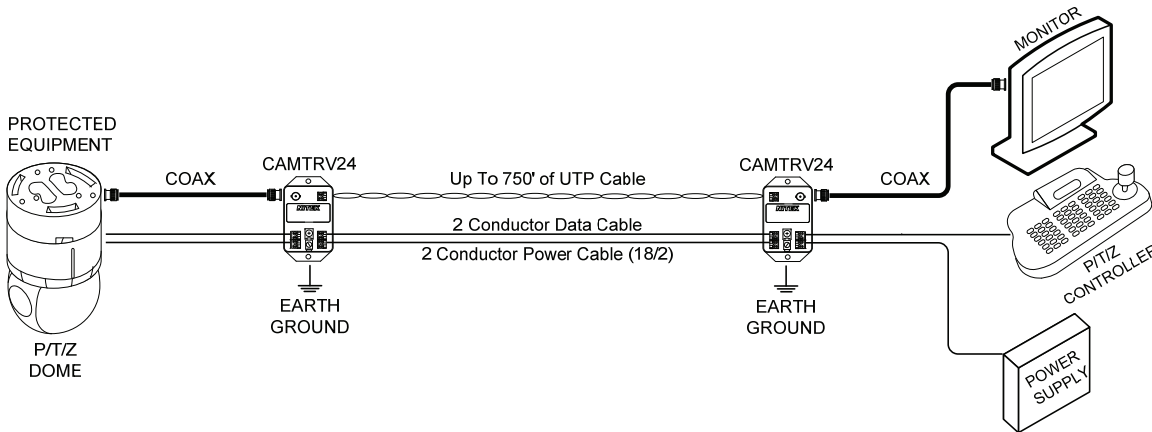
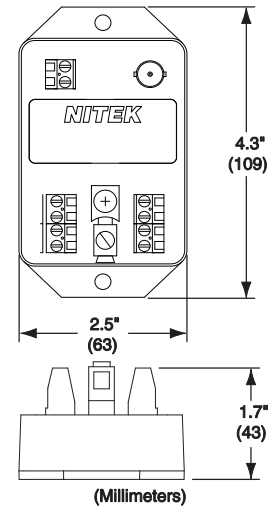
**Video, Data and Power Surge Protector
w/Built-In Balun**

Installation and Operation Manual

The CAMTRV24 is a single channel video balun transceiver used for UTP video transmission combined with a multi-function surge protector for in-line video, 2 wire P/T/Z control and the camera supply voltage. The CAMTRV24 is ideally suited for outdoor cameras, where extreme protection on all signal connections is required. The CAMTRV24 provides a heavy, single point ground connection and is easily installed in minutes. Proper installation is critical to proper operation of the units. Please read the instructions completely and insure good ground connections.

Specifications

Size (mm)	1.7" H x 4.3" W x 2.5" D (43 H x 109 W x 63 D)	Video Insertion Loss	<0.2dB
Clamping Voltage	Video—2.8V Power—33Vrms Control—4.7V	Impedance	50 or 75 Ohms
		Temperature	-20°C to +65°C
		Frequency	DC to 10 MHz



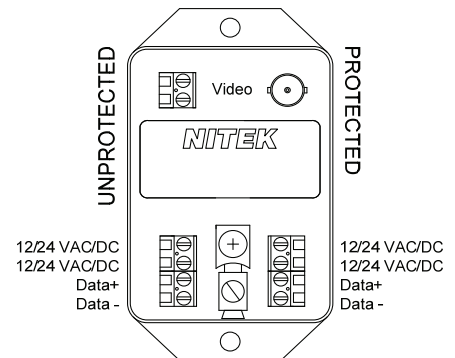
INSTALLATION

The CAMTRV24 must be properly installed to insure maximum protection. The function of the CAMTRV24 is to allow a surge to be routed to ground and to clamp the protected equipment inputs to a minimum voltage.

There are three key points to remember when installing the CAMTRV24. First, provide a low impedance connection between the CAMTRV24 and your protected equipment. This is best done by keeping the **PROTECTED** cable connections as short as possible.

Second, the system should use a single ground point. Connect the grounding stud of the CAMTRV24 to a single ground point. A single ground point is a proper building ground or earth ground to which equipment grounds are connected. Ideally the protected equipment should be isolated from ground. If the CAMTRV24 and the protected equipment are both grounded you will provide a parallel path to ground and a portion of the surge current can flow through that path.

Finally, the **UNPROTECTED** cables should not be crossed with the **PROTECTED** cables. Crossing cables could provide a path for surge currents to bypass the CAMTRV24 protection circuits.



NITEK®

USA Office:
5410 Newport Drive, Rolling Meadows, IL 60008
Phone: (800) 528-4343, (847) 259-8900
Fax: (847) 259-1300
E-mail: info@nitek.net, WWW.NITEK.NET

Europe Office:
De Schans 19-21 2a, 8231 KA Lelystad
Tel: +31(0)320-2300005
Fax: +31(0)320-282186
E-mail: info@nitek.nl, WWW.NITEK.NL