

# Model RK170

## Media Converter Rack

# Installation and Operation Manual

### Specifications

Size (mm) 1.7"H x 19"W x 5.75"D  
(45H x 19"W x 146D)

Power Requirements 15 VDC @ 1 Amp  
Class 2 Only

**Note:** This installation should be made by a qualified service person and conform with local codes.



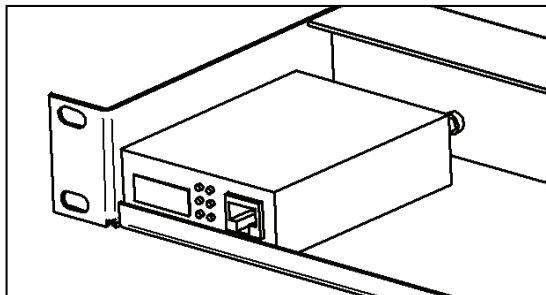
Reduce risk of fire or electrical shock. Do not expose this product to rain or moisture.

### Installation

The **RK170** provides mounting and power for the Media Converter units. Media Converter units should be inserted from left to right into the unit. Units are designed to fit tightly next to the adjacent unit (see pictures).

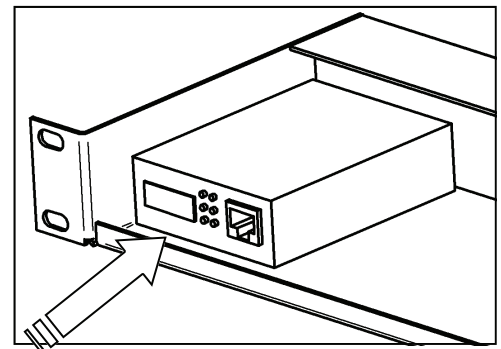
#### STEP 1

Align unit to left side and front edge of RK170.



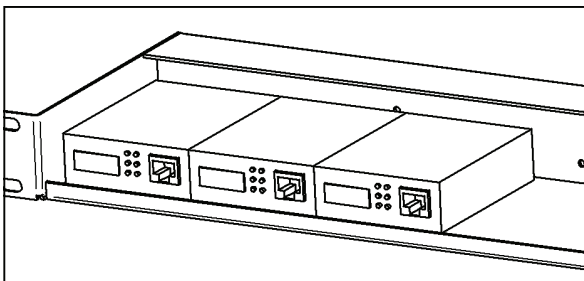
#### STEP 2

Slide unit backwards to mate it with the power connector.



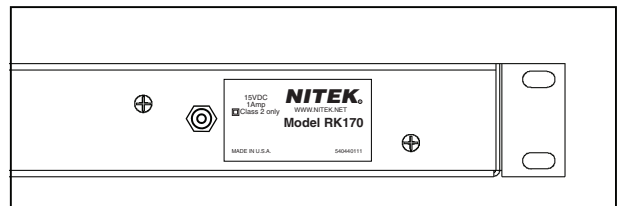
#### STEP 3

Align multiple units side by side.



#### STEP 4

Connect power supply on rear of RK170.



# NITEK®

USA Office:  
5410 Newport Drive, Rolling Meadows, IL 60008  
Phone: (800) 528-4343  
Fax: (847) 259-1300  
E-mail: [info@nitek.net](mailto:info@nitek.net)  
[WWW.NITEK.NET](http://WWW.NITEK.NET)

680250101

Europe Office:  
De Schans 19-21 2a, 8231 KA Lelystad  
The Netherlands  
Tel: +31(0)320-2300005  
Fax: +31(0)320-282186  
E-mail: [info@nitek.nl](mailto:info@nitek.nl)  
[WWW.NITEK.NL](http://WWW.NITEK.NL)

Rev 021511