

# AP540

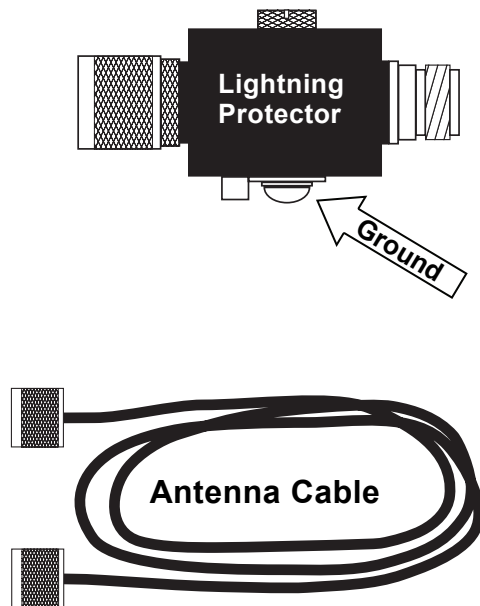
## Accessory Pack

**Includes:**  
**Lightning Protector**  
**and Antenna Cable**

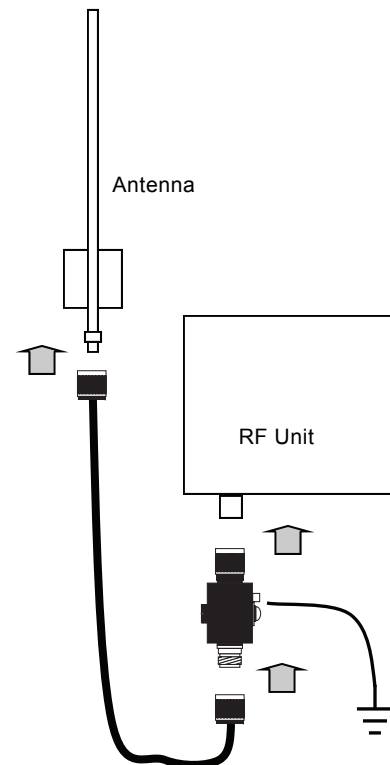


# Installation Manual

## PARTS



## HOOK UP DIAGRAM



## INSTALLATION

- 1) Connect the Lightning Protector directly to the N-type antenna input of the radio unit.
- 2) Connect a good earth ground to the Ground lug of the Lightning Protector.
- 3) Connect the Antenna Cable provided between the Lightning Protector and the antenna.

**Note:** Do not use antenna cables longer than the one provided due to the power loss which can occur.

Rev 11152010

685400101

# NITEK®

**USA Office:**  
5410 Newport Drive, Rolling Meadows, IL 60008  
Phone: (800) 528-4343, (847) 259-8900  
Fax: (847) 259-1300  
E-mail: [info@nitek.net](mailto:info@nitek.net), [WWW.NITEK.NET](http://WWW.NITEK.NET)

**Europe Office:**  
De Schans 19-21 2a, 8231 KA Lelystad  
Tel: +31(0)320-2300005  
Fax: +31(0)320-282186  
E-mail: [info@nitek.nl](mailto:info@nitek.nl), [WWW.NITEK.NL](http://WWW.NITEK.NL)